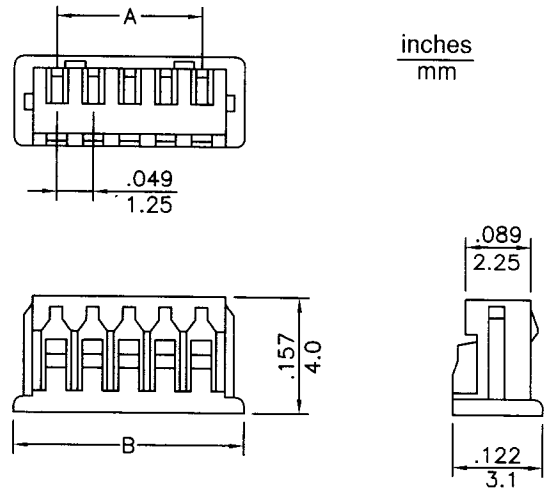


.049"(1.25mm) pitch Wire to Board Connector



CH1251 Series

- * Poles:2-20
 - * Material:PBT UL 94V-0 White
 - * Suitable CT1251T series terminal
 - * Mates with CW1251XX-XX series wafer
- Specifications
- * Current rating: 1A
 - * Voltage rating: 125V
 - * Temperature range: -25°C~+85°C
 - * Insulation resistance: 100MΩ min.
 - * Withstand voltage: 250V AC/minute

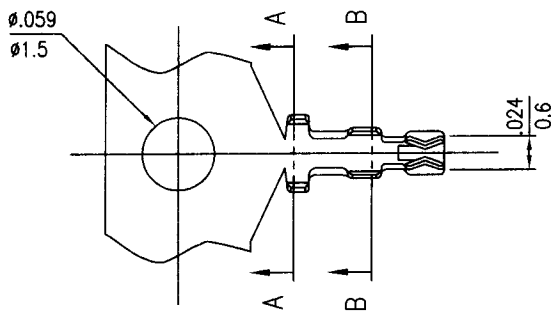


CIRCUITS	PART NO.	DIMENSION in.(mm)		CIRCUITS	PART NO.	DIMENSION in.(mm)	
		A	B			A	B
2	CH1251-02	0.049(1.25)	0.163(4.15)	12	CH1251-12	0.541(13.75)	0.656(16.65)
3	CH1251-03	0.098(2.50)	0.213(5.40)	13	CH1251-13	0.591(15.00)	0.705(17.90)
4	CH1251-04	0.148(3.75)	0.262(6.65)	14	CH1251-14	0.640(16.25)	0.754(19.15)
5	CH1251-05	0.197(5.00)	0.311(7.90)	15	CH1251-15	0.689(17.50)	0.803(20.40)
6	CH1251-06	0.246(6.25)	0.360(9.15)	16	CH1251-16	0.738(18.75)	0.852(21.65)
7	CH1251-07	0.295(7.50)	0.409(10.40)	17	CH1251-17	0.787(20.00)	0.902(22.90)
8	CH1251-08	0.344(8.75)	0.459(11.65)	18	CH1251-18	0.837(21.25)	0.951(24.15)
9	CH1251-09	0.394(10.00)	0.508(12.90)	19	CH1251-19	0.886(22.50)	1.000(25.40)
10	CH1251-10	0.443(11.25)	0.557(14.15)	20	CH1251-20	0.935(23.75)	1.049(26.65)
11	CH1251-11	0.492(12.50)	0.606(15.40)				

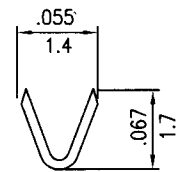
.049"(1.25mm) pitch crimp terminal

CT1251T Series

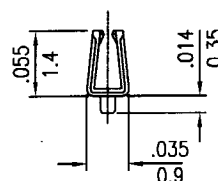
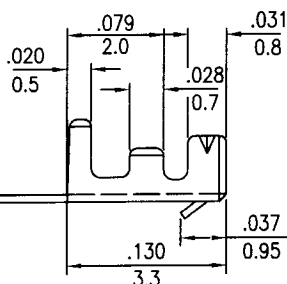
- * Material:Phos bronze
- * Finished:Tin-plated 60u"
- * Used in CH1251-XX series housings
- * Wire Range:AWG#28~#32
- * Insulation O.D:1.00mm(max)
- * Thickness:0.15mm
- * Q'TY:15,000pcs/reel



inches
mm



A-A SECTION



B-B SECTION